



## Spreader beam, non-adjustable model TTS-E

Capacity 1000 - 10000 kg

For the transport of symmetrical loads.

### Features

- Lifting brackets for single hook according to DIN 15401
- Eyehooks with forged safety latch

### Options

- Other capacities
- Working widths according customer requirements
- Accentral suspension for asymmetrical loads

### Technical data model TTS-E

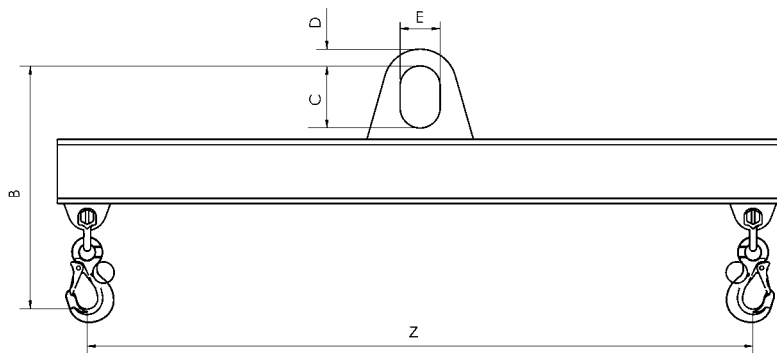
Model	EAN-No. 4025092*	Capacity kg	Working width Z mm	Hook mouth mm	Weight kg
TTS 1,0/1000 E	*552905	1000	1000	23	23
TTS 2,0/1000 E	*554534	2000	1000	23	25
TTS 3,0/1000 E	*552813	3000	1000	30	28
TTS 5,0/1000 E	*554541	5000	1000	38	41
TTS 7,5/1000 E	*554558	7500	1000	42	50
TTS 10,0/1000 E	*554565	10000	1000	42	61
TTS 1,0/1500 E	*552851	1000	1500	23	31
TTS 2,0/1500 E	*554572	2000	1500	23	33
TTS 3,0/1500 E	*552028	3000	1500	30	41
TTS 5,0/1500 E	*552172	5000	1500	38	64
TTS 7,5/1500 E	*554589	7500	1500	42	74
TTS 10,0/1500 E	*554596	10000	1500	42	90
TTS 1,0/2500 E	*554602	1000	2500	23	46
TTS 2,0/2500 E	*552769	2000	2500	23	69
TTS 3,0/2500 E	*552202	3000	2500	30	88
TTS 5,0/2500 E	*552493	5000	2500	38	106
TTS 7,5/2500 E	*554619	7500	2500	42	148
TTS 10,0/2500 E	*554626	10000	2500	42	181
TTS 1,0/3500 E	*554633	1000	3500	23	77
TTS 2,0/3500 E	*554640	2000	3500	23	118
TTS 3,0/3500 E	*552592	3000	3500	30	138
TTS 5,0/3500 E	*554657	5000	3500	38	167
TTS 7,5/3500 E	*554664	7500	3500	42	235
TTS 10,0/3500 E	*554671	10000	3500	42	272
TTS 1,0/5000 E	*554688	1000	5000	23	163
TTS 2,0/5000 E	*552523	2000	5000	23	189
TTS 3,0/5000 E	*554695	3000	5000	30	223
TTS 5,0/5000 E	*554701	5000	5000	38	295
TTS 7,5/5000 E	*554718	7500	5000	42	372
TTS 10,0/5000 E	*554725	10000	5000	42	478

Dimensions model TTS-E

Model	TTS 1,0/1000 E	TTS 2,0/1000 E	TTS 3,0/1000 E	TTS 5,0/1000 E	TTS 7,5/1000 E	TTS 10,0/1000 E	TTS 1,0/1500 E	TTS 2,0/1500 E	TTS 3,0/1500 E	TTS 5,0/1500 E
B, mm	405	430	500	615	720	800	405	430	520	635
C, mm	110	135	160	180	200	260	110	135	160	180
D, mm	25	30	35	40	60	70	25	30	35	40
E, mm	60	75	90	100	130	130	60	75	90	100

Model	TTS 7,5/1500 E	TTS 10,0/1500 E	TTS 1,0/2500 E	TTS 2,0/2500 E	TTS 3,0/2500 E	TTS 5,0/2500 E	TTS 7,5/2500 E	TTS 10,0/2500 E	TTS 1,0/3500 E	TTS 2,0/3500 E
B, mm	740	820	405	470	560	655	780	860	435	490
C, mm	200	260	110	135	160	180	200	260	110	135
D, mm	60	70	25	30	35	40	60	70	25	30
E, mm	130	130	60	75	90	100	130	130	60	75

Model	TTS 3,0/3500 E	TTS 5,0/3500 E	TTS 7,5/3500 E	TTS 10,0/3500 E	TTS 1,0/5000 E	TTS 2,0/5000 E	TTS 3,0/5000 E	TTS 5,0/5000 E	TTS 7,5/5000 E	TTS 10,0/5000 E
B, mm	580	695	800	880	475	510	600	715	820	920
C, mm	160	180	200	260	110	135	160	180	200	260
D, mm	35	40	60	70	25	30	35	40	60	70
E, mm	90	100	130	130	60	75	90	100	130	130



INFO

The spreader beams can be combined with the different suspension types (see pages 198-199).