



Option: Parking brake



## Hand pallet truck model HU 26-115 TMt PROLINE MOTION

Capacity 2600 kg

For the professional transportation of palletised goods and box pallets under demanding conditions.

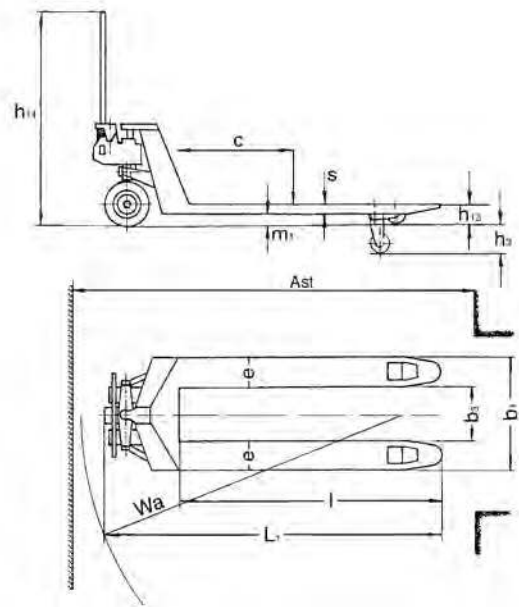
### Features

- Ergonomic safety control handle for one-hand operation of lifting, driving and lowering.
- Ergonomic designed control handle for safe handling.
- Low maintenance high performance hydraulic pump with hard chromium plated piston and pressure relief valve.
- Frame and forks in robust steel construction, adjustable connecting rods, especially hardened axles and the high quality powder coating ensure a long life expectancy.
- Apron with shock absorbing rubber buffer in Pfaff-design.
- Steering angle of 105 degree to each side for easy handling in confined spaces.
- Entry rollers facilitate entry into bottom boarded pallets.

### Technical data model HU 26-115 TMt PROLINE MOTION

Model	HU 26-115 TMt	HU 26-115 TMt
Art.-No.	040009215	040009873
Capacity, kg	2600	2600
Load center c, mm	600	600
Weight, kg	86	86
Tyre type <sup>1</sup>	VG/PUR	PUR/PUR
Steering rollers, mm	200x50	200x50
Load rollers, mm	84x70	84x70
Number of wheels/load rollers	2/4	2/4
Stroke h3, mm	115	115
Height of control handle h14, mm	1200	1200
Fork height lowered h13, mm	85	85
Overall length L1, mm	1535	1535
Fork height s, mm	45	45
Fork width e, mm	160	160
Fork length l, mm	1150	1150
Outside dimension of forks b1, mm	540	540
Inside dimension of forks b3, mm	220	220
Ground clearance m1, mm	40	40
Aisle width pallet Ast, mm	1815	1815
Turning circle radius Wa, mm	1330	1330

<sup>1</sup> PUR... Polyurethane, VG... Solid rubber



Hand pallet truck model HU 26-115 TMt PROLINE MOTION  
Hand pallet truck model HU 25-115 TS und ES SILVERLINE



**Hand pallet truck  
SILVERLINE  
with a smaller or a wider  
loading width**

**Capacity 1500 - 2500 kg**

For the professional transportation of special pallets, e.g. brickyard pallets or american pallets.

**Features**

- Ergonomic safety control handle for one-hand operation of lifting, driving and lowering.
- Ergonomic rubber control handle for safe handling.
- Low maintenance high performance hydraulic pump with hard chromium plated piston and pressure relief valve.
- Frame and forks in robust steel construction, adjustable connecting rods, especially hardened axles and the high quality powder coating ensure a long life expectancy.
- Steering angle of 105 degree to each side for easy handling in confined spaces.

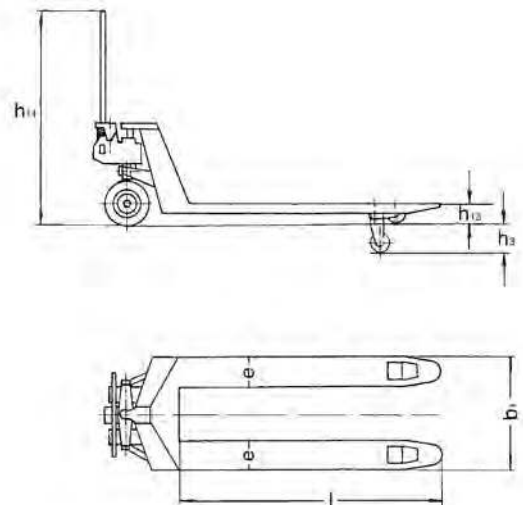


Option: Parking brake

**Technical data hand pallet truck SILVERLINE**

Model	HU 15-115 TP	HU 20-115 BTS	HU 25-115 BTS
Art.-No.	040006498	034527132	21225457
Capacity, kg	1500	2000	2500
Weight, kg	80	86	73
Tyre type <sup>1</sup>	PUR/PUR	VG/PUR	VG/PUR
Steering rollers, mm	200x50	200x50	200x50
Load rollers, mm	82x70	82x70	80x70
Stroke h3, mm	115	115	115
Height of control handle h14, mm	1200	1200	1230
Fork height lowered h13, mm	85	85	85
Fork width e, mm	160	160	160
Fork length l, mm	1150	1150	1150
Outside dimension of forks b1, mm	450	850	685

<sup>1</sup>PUR... Polyurethane, VG...Solid rubber



## Hand pallet truck with low height forks model HU 15-115 FTP PROLINE

Capacity 1500 kg

For the professional transportation of particularly low pallets.

### Features

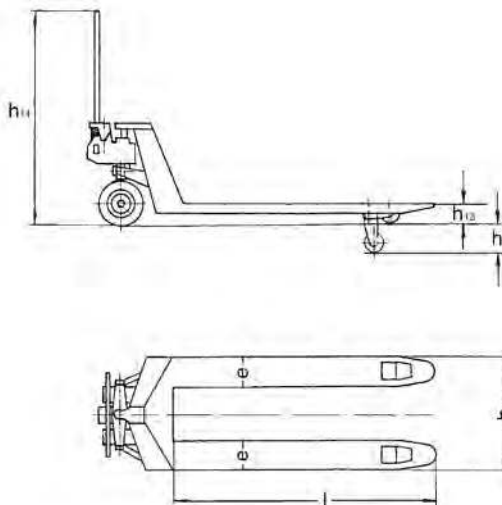
- Ergonomic safety control handle for one-hand operation of lifting, driving and lowering.
- Ergonomic rubber control handle for safe handling.
- Low maintenance high performance hydraulic pump with hard chromium plated piston and pressure relief valve.
- Frame and forks in robust steel construction, adjustable connecting rods, especially hardened axles and the high quality powder coating ensure a long life expectancy.
- Pallet entry height of only 51 mm for easy entry in particularly low pallets.
- Steering angle of 105 degree to each side for easy handling in confined spaces.



### Technical data model HU 15-115 FTP

Model	HU 15-115 FTP
Art.-No.	034527124
Capacity, kg	1500
Weight, kg	84
Tyre type <sup>1</sup>	PUR/PA
Steering rollers, mm	180x50
Load rollers, mm	50x70
Stroke h3, mm	115
Height of control handle h14, mm	1200
Fork height lowered h13, mm	51
Fork width e, mm	160
Fork length l, mm	1150
Outside dimension of forks b1, mm	540

<sup>1</sup> PUR... Polyurethane, PA... Polyamide



**Hand pallet truck  
PROLINE  
with short forks**

**Capacity 2500 kg**

For the professional transportation of short palletised goods and box pallets under demanding conditions.

**Features**

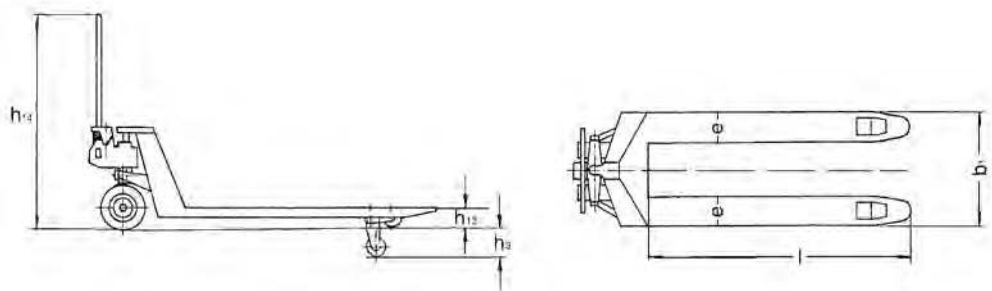
- Ergonomic safety control handle for one-hand operation of lifting, driving and lowering.
- Ergonomic rubber control handle for safe handling.
- Low maintenance high performance hydraulic pump with hard chromium plated piston and pressure relief valve.
- Frame and forks in robust steel construction, adjustable connecting rods, especially hardened axles and the high quality powder coating ensure a long life expectancy.
- Fork lengths from 600 up to 1000 mm for transportation of small loads.
- Steering angle of 105 degree to each side for easy handling in confined spaces.
- Available with tandem (TP) or single rollers (EP).



**Technical data hand pallet truck PROLINE with short forks**

Model	HU 25-60 EP	HU 25-80 EP	HU 25-90 EP	HU 25-100 EP	HU 25-80 TP	HU 25-90 TP	HU 25-100 TP
Art.-No.	040011694	21225221	21225224	21225223	21225450	21225451	21225452
Capacity, kg	2500	2500	2500	2500	2500	2500	2500
Weight, kg	59	63	66	66	64	67	66
Tyre type <sup>1</sup>	VG/PA	VG/PUR	VG/PUR	VG/PUR	VG/PUR	VG/PUR	VG/PUR
Steering rollers, mm	200x50	200x50	200x50	200x50	200x50	200x50	200x50
Load rollers, mm	82x70	80x93	80x93	80x93	80x70	80x70	80x70
Stroke h3, mm	115	115	115	115	115	115	115
Height of control handle h14, mm	1200	1230	1230	1230	1230	1230	1230
Fork height lowered h13, mm	85	85	85	85	85	85	85
Fork width e, mm	160	160	160	160	160	160	160
Fork length l, mm	600	800	900	1000	800	900	1000
Outside dimension of forks b1, mm	540	540	540	540	540	540	540

<sup>1</sup> PA... Polyamide, PUR... Polyurethane, VG... Solid rubber



## Hand pallet truck PROLINE for heavy loads

Capacity 3000 - 5000 kg

For the professional transportation of heavy loads.

### Features

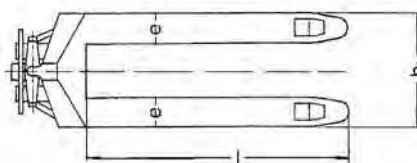
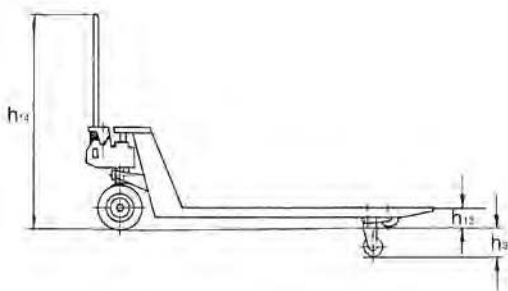
- Ergonomic safety control handle for one-hand operation of lifting, driving and lowering.
- Ergonomic rubber control handle for safe handling (only model HU 30-115 TP).
- Low maintenance high performance hydraulic pump with hard chromium plated piston and pressure relief valve.
- Frame and forks in robust steel construction, adjustable connecting rods, especially hardened axles and the high quality powder coating ensure a long life expectancy.



### Technical data hand pallet truck PROLINE for heavy loads

Model	HU 30-115 TP	HU 50-115 TP	HU 50-200 TP
Art.-No.	21230415	034527058	034527056
Capacity, kg	3000	5000	5000
Weight, kg	69	240	300
Tyre type <sup>1</sup>	PUR/PUR	steel/steel	steel/steel
Steering rollers, mm	200x50	200x50	200x50
Load rollers, mm	80x70	82x80	82x80
Stroke h3, mm	115	110	110
Height of control handle h14, mm	1230	1220	1220
Fork height lowered h13, mm	85	90	105
Fork width e, mm	160	210	210
Fork length l, mm	1150	1150	2000
Outside dimension of forks b1, mm	540	580	700

<sup>1</sup> PUR... Polyurethane





Option: Parking brake

## Hand pallet truck PROLINE with extended forks

Capacity 2000 - 2500 kg

For the professional transportation of long palletised goods and box pallets under demanding conditions.

### Features

- Ergonomic safety control handle for one-hand operation of lifting, driving and lowering.
- Ergonomic rubber control handle for safe handling.
- Low maintenance high performance hydraulic pump with hard chromium plated piston and pressure relief valve.
- Frame and forks in robust steel construction, adjustable connecting rods, especially hardened axles and the high quality powder coating ensure a long life expectancy.
- Fork lengths from 1300 up to 3000mm for transportation of long and bulky loads.
- Steering angle of 105 degree to each side for easy handling in confined spaces.

### INFO

Driving and parking brake available as option.

### Technical data hand pallet truck PROLINE with extended forks

Model	HU 25-130 TP	HU 20-150 TP	HU 20-180 TP	HU 20-200 TP	HU 20-250 TP	HU 20-300 TP
Art.-No.	21225453	21225454	21225455	21225456	034527202	034527203
Capacity, kg	2500	2000	2000	2000	2000	2000
Weight, kg	81	82	92	97	275	316
Tyre type <sup>1</sup>	VG/PUR	VG/PUR	VG/PUR	VG/PUR	PUR/PUR	PUR/PUR
Steering rollers, mm	200x50	200x50	200x50	200x50	200x50	200x50
Load rollers, mm	80x70	80x70	80x70	80x70	82x70	82x70
Stroke h3, mm	115	115	115	115	115	115
Height of control handle h14, mm	1230	1230	1230	1230	1200	1200
Fork height lowered h13, mm	85	85	85	85	85	85
Fork width e, mm	160	160	160	160	170	170
Fork length l, mm	1300	1500	1800	2000	2500	3000
Outside dimension of forks b1, mm	540	540	540	540	550	550

<sup>1</sup> PUR... Polyurethane, VG... Solid rubber Other versions available on request

**Hand pallet truck  
PROLINE  
with extended forks and  
increased capacity**

Capacity 3000 - 3500 kg

For the professional transportation of long palletised goods and box pallets under demanding conditions.

**Features**

- Ergonomic safety control handle for one-hand operation of lifting, driving and lowering.
- Ergonomic rubber control handle for safe handling.
- Low maintenance high performance hydraulic pump with hard chromium plated piston and pressure relief valve.
- Frame and forks in robust steel construction, adjustable connecting rods, especially hardened axles and the high quality powder coating ensure a long life expectancy.
- Fork lengths from 1500 up to 2000 mm for transportation of long goods.
- Steering angle of 105 degree to each side for easy handling in confined spaces.



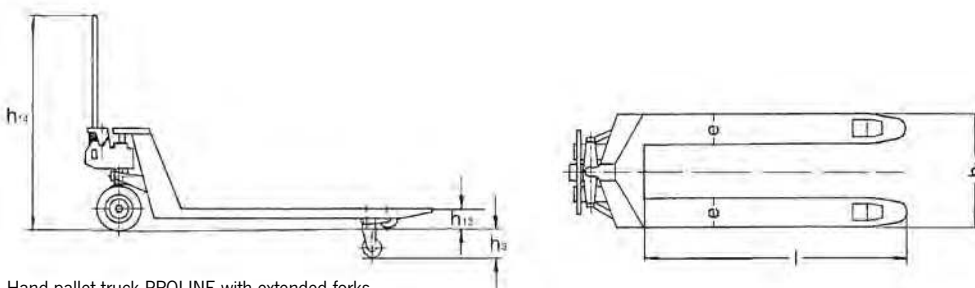
**INFO**

With extended forks up to 2000 mm and increased capacity up to 3500 kg.

**Technical data hand pallet truck PROLINE with extended forks and increased capacity**

Model	HU 30-150 TP	HU 30-180 TP	HU 35-200 TP
Art.-No.	034527204	034527205	034527206
Capacity, kg	3000	3000	3500
Weight, kg	121	139	148
Tyre type <sup>1</sup>	PUR/PUR	PUR/PUR	PUR/PUR
Steering rollers, mm	200x50	200x50	200x50
Load rollers, mm	82x70	82x70	82x70
Stroke h3, mm	115	115	115
Height of control handle h14, mm	1200	1200	1200
Fork height lowered h13, mm	85	85	85
Fork width e, mm	160	170	170
Fork length l, mm	1500	1800	2000
Outside dimension of forks b1, mm	540	550	550

<sup>1</sup> PUR... Polyurethane



Hand pallet truck PROLINE with extended forks  
Hand pallet truck PROLINE with extended forks and increased capacity

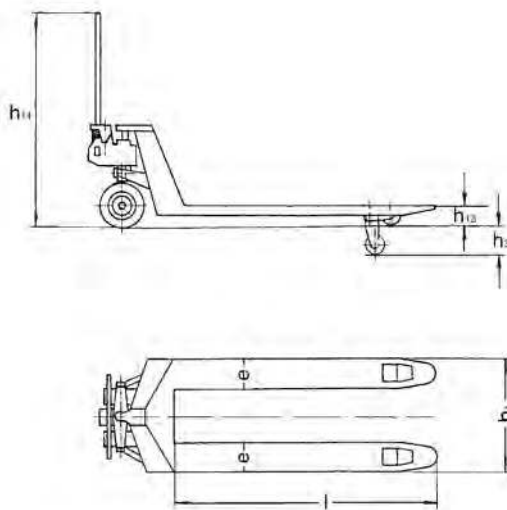
## Hand pallet truck with quick-lift model HU 20-115 QLTP PROLINE

Capacity 2000 kg

For quick lifting and professional transportation of palletised goods and box pallets under demanding conditions.

### Features

- Ergonomic safety control handle for one-hand operation of lifting, driving and lowering.
- Ergonomic rubber control handle for safe handling.
- Low maintenance high performance hydraulic pump with hard chromium plated piston and pressure relief valve.
- Quick-lift function for loads up to 200 kg for quick lifting of the load.
- Frame and forks in robust steel construction, adjustable connecting rods, especially hardened axles and the high quality powder coating ensure a long life expectancy.
- Steering angle of 105 degree to each side for easy handling in confined spaces.



### Technical data model HU 20-115 QLTP

Model	HU 20-115 QLTP
Art.-No.	034527125
Capacity, kg	2000
Weight, kg	86
Tyre type <sup>1</sup>	VG/PUR
Steering rollers, mm	200x50
Load rollers, mm	82x70
Stroke h3, mm	115
Height of control handle h14, mm	1200
Fork height lowered h13, mm	85
Fork width e, mm	160
Fork length l, mm	1150
Outside dimension of forks b1, mm	540

<sup>1</sup> PUR... Polyurethane, VG... Solid rubber



## Hand pallet truck with driving and parking brake model HU 25-115 FBTP PROLINE

Capacity 2500 kg

For the professional transportation of palletised goods and box pallets, on ramps, ascending slopes and on lorries.

### Features

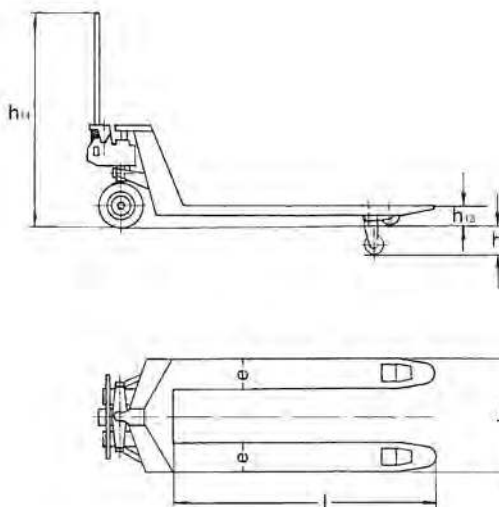
- Ergonomic safety control handle for one-hand operation of lifting, driving and lowering.
- Ergonomic rubber control handle for safe handling.
- Driving and park brake comfortably operated from the control handle.
- Low maintenance high performance hydraulic pump with hard chromium plated piston and pressure relief valve.
- Frame and forks in robust steel construction, adjustable connecting rods, especially hardened axles and the high quality powder coating ensure a long life expectancy.
- Steering angle of 105 degree to each side for easy handling in confined spaces.



### Technical data model 25-115 FBTP

Model	HU 25-115 FBTP
Art.-No.	034527135
Capacity, kg	2500
Weight, kg	86
Tyre type <sup>1</sup>	VG/PUR
Steering rollers, mm	200x50
Load rollers, mm	82x70
Stroke h3, mm	115
Height of control handle h14, mm	1200
Fork height lowered h13, mm	85
Fork width e, mm	160
Fork length l, mm	1150
Outside dimension of forks b1, mm	540

<sup>1</sup> PUR... Polyurethane, VG... Solid rubber





**Hand pallet truck  
stainless steel version  
model HU 20-115 VATP  
PROLINE**

**Capacity 2000 kg**

For the professional transportation of palletised goods in corrosive areas.

**Features**

- Ergonomic safety control handle for one-hand operation of lifting, driving and lowering.
- Low maintenance high performance hydraulic pump with hard chromium plated piston and pressure relief valve.  
Hydraulic unit made of V4A – 316 stainless steel.
- Frame, adjustable connecting rods, bolts and the torsion tube are made of high quality V4A – 316 stainless steel.
- Steering angle of 105 degree to each side for easy handling in confined spaces.



Available in explosion proof version (see page 468).

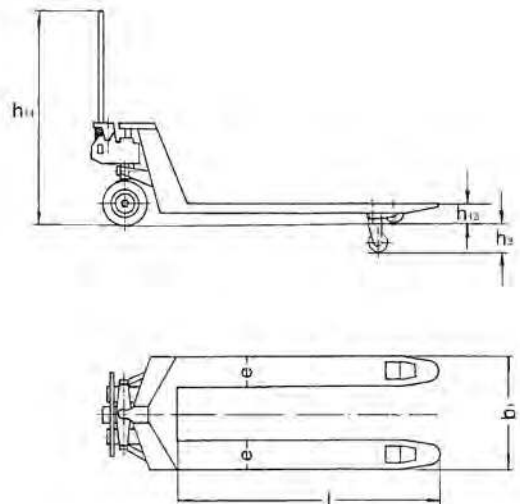
**INFO**

The operator is responsible for an analysis of the working conditions in order to assess the suitability of the hand pallet truck.

**Technical data model HU 20-115 VATP**

Model	HU 20-115 VATP
Art.-No.	040005740
Capacity, kg	2000
Weight, kg	86
Tyre type <sup>1</sup>	PA/PA
Steering rollers, mm	200x50
Load rollers, mm	82x70
Stroke h3, mm	115
Height of control handle h14, mm	1200
Fork height lowered h13, mm	85
Fork width e, mm	160
Fork length l, mm	1150
Outside dimension of forks b1, mm	540

<sup>1</sup> PA... Polyamide



**Hand pallet truck  
galvanized version  
model HU 25-115 GAL  
PROLINE**

Capacity 2500 kg

For the professional transportation of palletised goods in corrosive areas.

**Features**

- Ergonomic safety control handle for one-hand operation of lifting, driving and lowering.
- Low maintenance high performance hydraulic pump with hard chromium plated piston and pressure relief valve.
- Galvanized frame with a layer of 100 µm, cold galvanized control handle and hydraulic system, stainless steel running gear, ball bearings and axles ensure high chemical resistance.
- Steering angle of 105 degree to each side for easy handling in confined spaces.



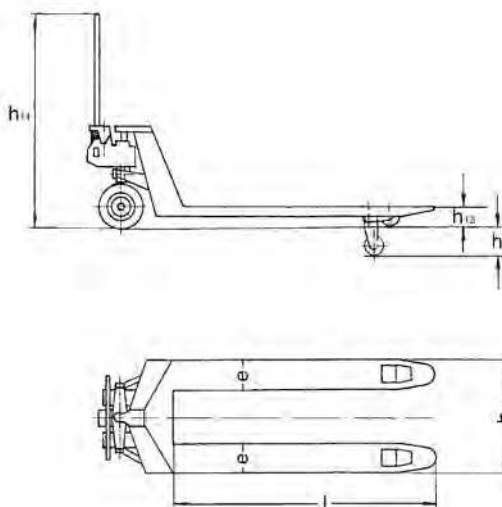
**INFO**

The operator is responsible for an analysis of the working conditions in order to assess the suitability of the hand pallet truck.

**Technical data model HU 25-115 GAL**

Model	HU 25-115 GAL
Art.-No.	034527170
Capacity, kg	2500
Weight, kg	86
Tyre type <sup>1</sup>	PA/PA
Steering rollers, mm	200 x 50
Load rollers, mm	82 x 70
Stroke h3, mm	115
Height of control handle h14, mm	1200
Fork height lowered h13, mm	85
Fork width e, mm	160
Fork length l, mm	1150
Outside dimension of forks b1, mm	540

<sup>1</sup> PA... Polyamide





**Hand pallet truck with weighing system model HU W-20 SL SILVERLINE**

**Capacity 2000 kg**

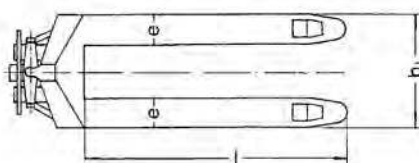
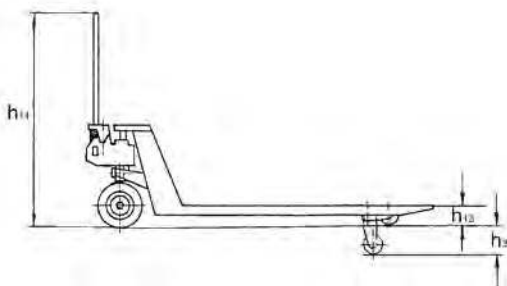
For transportation and weighing of palletised goods and box pallets. For simple weighing jobs and a rough calculation of total weights, e.g. when loading lorries.

**Features**

- The basic truck is the model Silverline HU 25-115.
- Ergonomic safety control handle for one-hand operation of lifting, driving and lowering.
- Ergonomic rubber control handle for safe handling.
- Measuring range from 0 up to 2000 kg in 5 kg steps.
- Easy to read LCD display.
- Accuracy:
  - 0 - 500 kg → +/- 10 kg
  - 500 - 1000 kg → +/- 20 kg
  - 1000 - 2000 kg → +/- 30 kg
- The weighing system is calibrated at the factory.

**Scope of delivery**

- 2 x 1.5 V AA batteries (sufficient for approx. 3000 weighing operations)



**Technical data model HU W-20 SL**

Model	HU W 20 SL
Art.-No.	040048616
Capacity, kg	2000
Load center c, mm	600
Weight, kg	76
Tyre type <sup>1</sup>	VG/PUR
Steering rollers D, mm	200x50
Load rollers D1, mm	82x70
Number of wheels/load rollers	2/4
Stroke h2, mm	115
Lifting height h3, mm	200
Height of control handle h14, mm	1200
Fork height lowered h13, mm	85
Overall length L1, mm	1535
Fork height s, mm	45
Fork width e, mm	160
Fork length l, mm	1150
Outside dimension of forks b1, mm	540
Ground clearance m1, mm	40
Turning circle radius, mm	1330
Ambient temperature	-5 °C up to +40 °C

<sup>1</sup> VG... Solid rubber, PUR... Polyurethane